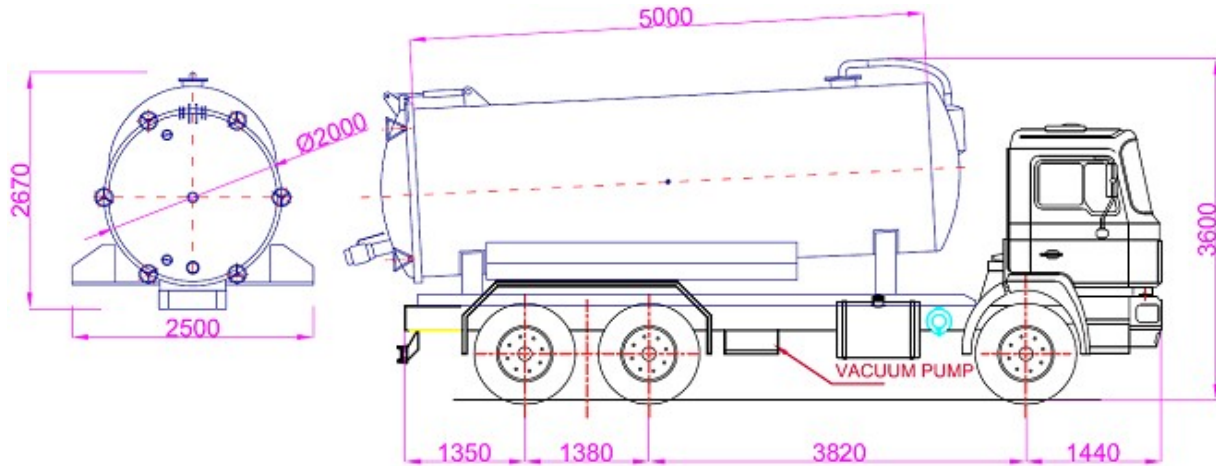




## TECHNICAL SPECIFICATION



*The drawing is only for illustration and can show optional or accessories not included in the price*

### **TRUCK's body & Accessories :**

<b>Total Tank Volume</b>	:	<b>16,000 Lt.</b>
<b>Sludge Compartment</b>	:	<b>15,000 Lt.</b>
<b>Clean Water Compartment</b>	:	<b>1,000 Lt.</b>

### **Construction**

Cylindrical shape, made by corrosion and abrasion resistance carbon steel cylindrical all of 6mm all welded construction from 6 mm steel plate with dished and flanged ends fully welded, internally fitted with transverse anti-surge baffles and circumferentially fitted with anti-implosion rings-material ASTM A36 or equivalent. Opening rear door by a hydraulic cylinder provided with mechanical locking facility.

The tank to be electrically welded, torsion free, primer and epoxy painted in several layers and made in two sections first for water and second for the vacuumed material, fixed on a sub-frame.

The tank tipped by a telescopic hydraulic cylinder hoist placed in front of the tank and capable to tip the full design load upon heavy stainless steel, lubricate able hinges fixed at the end of the truck.

The tank should have manholes at the top one for each section including high quality of sealant gasket; each manhole has a permanent external ladder.

Tank chassis connection / tank will be hinged on the auxiliary chassis from the rear and will be hinged with the help of the stays from the front.

### **Hydraulics**

Telescopic multi stage hoist, front end mounted, , Hydraulic reservoir is preferred to be mounted on sub-frame, subject to availability of space. Operation of the tipping system is through pneumatic switch fitted inside the cabin to lift up to (30 to 45 degrees). Alternative designs should have full description of the operation.

inlet water / on the clean water tank

Suction valve for wastewater: manual controlled, 4 inch suction valve.

Discharge valve for wastewater: pneumatic controlled 6" wastewater discharge valve, by gravity and by pressure

Level gauges: Each tank must be equipped with (2) level inspecting gauges: one a sight glass and one glass tube to view the wastewater level and for the clean water.

Suction spiral hose system: on the waste water tank, 4"×30m including quick join coupling.

Rear Lid: 6mm, opened type, hinged from the upper side of the tank and vertically opening by hydraulic control.



# *Dmix International*

The full size rear door is hinged at the top, opened by 2 hydraulics double effect cylinders with a safety device to keep it open while cleaning, repair or inspecting, complete with a neoprene rubber seal to prevent leakage and nos. 2 mechanical manual wheels clamps for locking  
Trays for hoses at the two sides of the truck.  
Two number of fitted boxes (Trays) provided with hinges and locks along the tank on each side.

## **Sludge Compartment:**

The full size rear door is hinged at the top, opened by 2 hydraulics double effect cylinders with a safety device to keep it open while cleaning, repair or inspecting, complete with a neoprene rubber seal to prevent leakage and nos. 2 mechanical manual wheels clamps for locking.

One 4" suction stainless steel ball valve manually operated with inlet pipe and quick spherical joint.

One overflow valve of floating type.

Upper manholes with firm hinged covers with padlocks including a sealing rubber gasket.

## **Clean Water Compartment:**

Container of same material. The thickness is according to the Manufacturer of a volume of (1) m3.

One upper manhole

An overflow and a ventilation piping

One (1") water inlet manual gate valve with UNI 45 fitting.

Pipes connection to the water pump.

One NERON high pressure water pump 150 bar

## **Tank's Control System:**

The system is driven by a water proof control panel fixed on the side of the tank and contains vacuum meter, manometer vacuum pump control & emergency buttons.

## **Tank's Transmission System:**

The vacuum pump is driven by means of the Gear-Box P.T.O (Power-Take-Off), pneumatically operated, via a transmission shaft, pulleys, belts and pneumatic clutch.

## **Vacuum System:**

No.1 stainless steel ball float shut-off system, fitted inside the sludge compartment, to shut down the airflow to prevent overfilling.

Ball float shut-off system, net-type air filter including an electrical device to disengage automatically the vacuum pump in case liquid high level, inspection door and manual/pneumatic purge valve, no.1 steel cyclone between the tank and the vacuum pump complete of stainless steel.

No.1 vacuum-breaking system and all necessary valves

## **Hydraulic System:**

The system to include:

Made up by an oil tank of suitable capacity. Complete with filter and level gauge.

Hydraulic pump delivering power for the functioning of several devices (rear door, tank tipping etc.).

The dump and rear door controls are located at vehicle curbside for operator safety.

## **Vacuum pump BATTIONI E PAGANI - BALLAST or similar pump Made in Italy capacity:**

Free airflow : not less than 750 m3/h

### **Safety floats:**

Safety system: safety ball between the vacuum pump and first safety system which is mounted on the vacuum installation, with 70l, volume tank and discharge valve.

## **Additional Equipment:**

Full manual

Standard mechanical tools.

***Dmix International*** S.p.A.

Viale Enzo Paolo Tiberi n° 8, 06124 PERUGIA (PG)

C.F./P.IVA 03610350542 REA PG301726



# *Dmix International*

Fire extinguishers of 5 kg each.  
Jack 20 tons.  
Tire inflating hoses of (20) m with complete engagements.  
Extension lamp cable including the lamp for emergency requirement.  
Steel sheets mudguards with rubber flaps.  
Towing hook (towing eye front and rear) including a towing  
One oil suction hose (50 x 9) mm. (20) m long.  
One Oil puddle sucking unit including fitting to connect the above oil hose.  
One standing tube for hydrant joining.  
One number filling H.P. hose (20M) long, Dia. 2" with all joining couplings  
One filling spiral suction hose (20) m long (100 x 9) mm with quick coupling joint.  
One tail-bar for manhole's cover opening.  
Four sets of mechanic – technician gloves  
Tool box with tools (for truck services) – emergency road driving repair  
2 shovels.  
Two brushes.  
Two portable flushing beacons.  
Six breathing masks,  
First aid kit  
Warning Triangle

**THE ABOVE MENTIONED TECHNICAL SPECIFICATIONS CAN BE MODIFIED AS PER CUSTOMER EXIGENCE**

***Dmix International*** S.R.L.S.

Viale Enzo Paolo Tiberi n° 8, 06124 PERUGIA (PG)

C.F./P.IVA 03610350542 REA PG301726